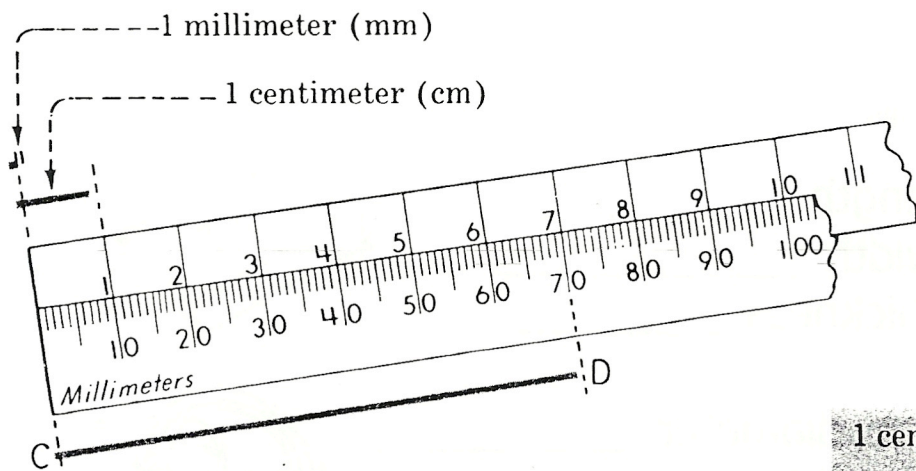


Lesson 2 Millimeter



1 centimeter = 10 millimeters
 1 cm = 10 mm

Line segment CD is 7 centimeters or _____ millimeters long.

Find the length of each line segment to the nearest centimeter.
 Then find the length of each line segment to the nearest millimeter.

a

b

- | | | |
|-------------|----------|-------|
| 1. _____ cm | _____ mm | _____ |
| 2. _____ cm | _____ mm | _____ |
| 3. _____ cm | _____ mm | _____ |
| 4. _____ cm | _____ mm | _____ |

Find the length of each line segment to the nearest millimeter.

- | | |
|-------------|-------|
| 5. _____ mm | _____ |
| 6. _____ mm | _____ |
| 7. _____ mm | _____ |
| 8. _____ mm | _____ |

Use a ruler to draw a line segment for each measurement.

9. 50 mm
10. 80 mm
11. 25 mm
12. 55 mm

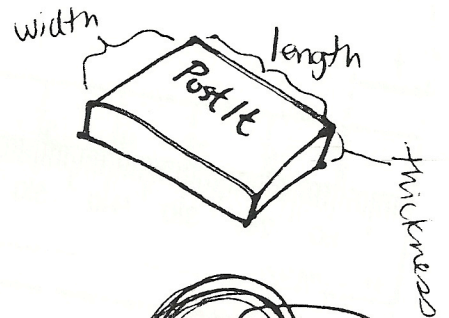
Perfect score: 16 My score: _____

CM Measurement Practice

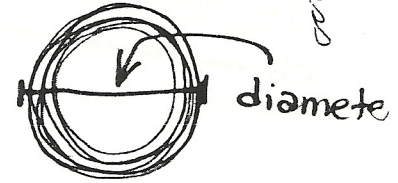
Name: _____

Do not open any of the packages please.

- 1. post-it notes length _____
width _____
thickness _____



- 2. masking tape diameter _____
thickness _____



- 3. correction fluid base diameter _____
height _____

- 4. binder clip box length _____
width _____
thickness _____

- 5. glue stick length _____
width at base _____

- 6. bandage length _____
width _____

- 7. paperclip box length _____
width _____
thickness _____

"Sponge" Activity: Ask a friend to help ...
Measure the circumference of your head



_____ cm